

PURSTON INFANT SCHOOL

Access Statement

This statement should be read in association with the attached map of the school

Employees and Visitors to the School

The main entrance to the school is off Nunns Lane. Visitors are greeted at Reception. Further access at this point is only allowed by electronic code. There are other entrances to classrooms on both sides of the school and to the Nursery off Bedford Close.

The school is DDA compliant and provides a safe environment. There are toilet facilities for the disabled and access to all parts of the school. Lighting has been improved around the school for both visitors, users and employees.

Vehicles and Transport

The main entrance drive and car park is off Nunns Lane. Consultation with neighbours and users of the school is undertaken on a regular basis. The car park has recently been extended and additional footpaths and fencing constructed which has reduced the likelihood of accidents along the driveway and in the car park.

To reduce car parking problems on Nunns Lane and Bedford Close a park and stride scheme has been introduced that operates from the Junction Public House car park.

Inclusiveness

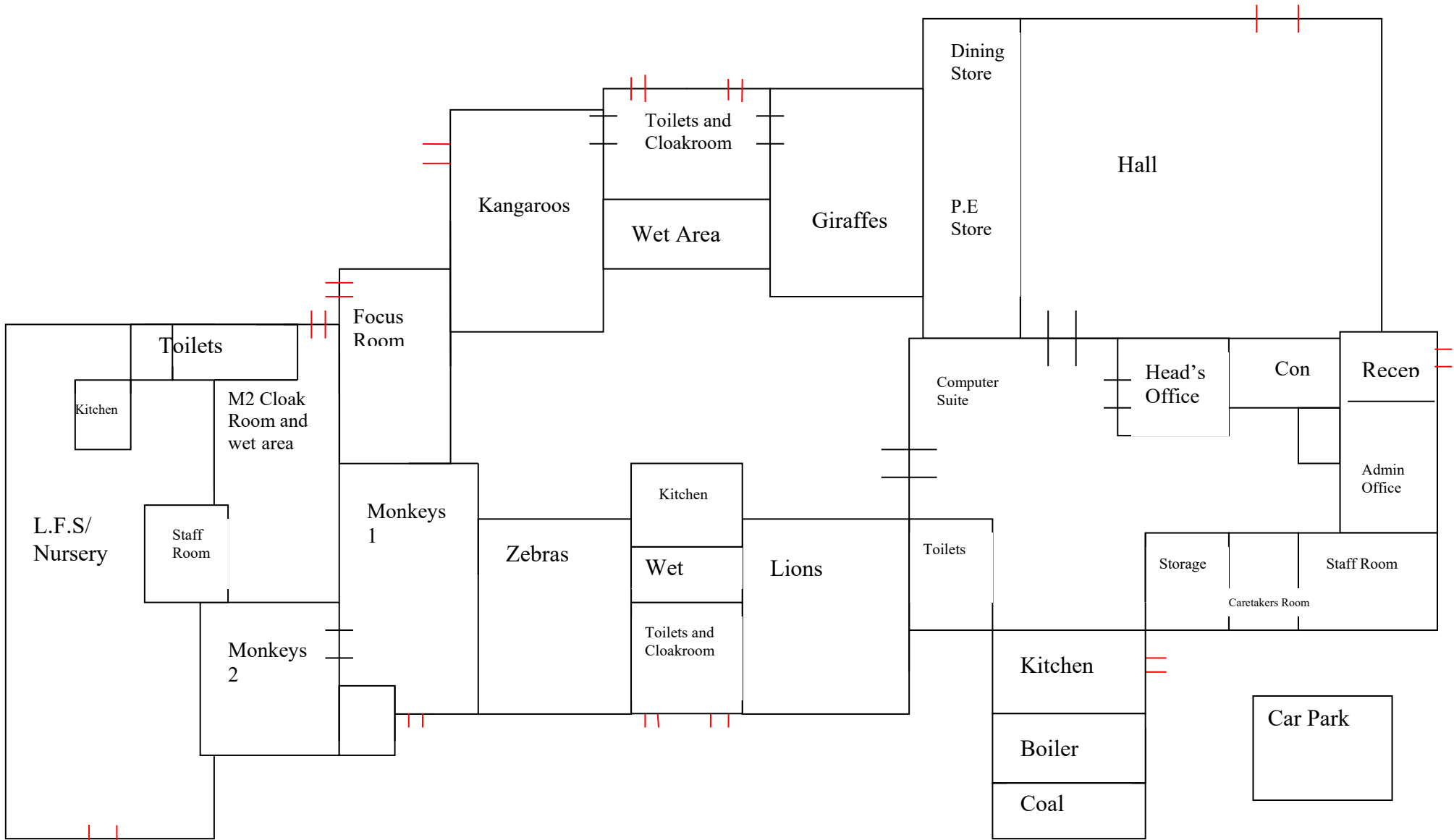
The school is DDA compliant and ramps are provided for wheelchair access. Toilet facilities for the disabled are also provided.

The school has been inspected and passed by an independent DDA consultant. At present there are no physically disabled children needing wheelchair access in the school. Consultation is ongoing and should a child with special needs be enrolled there will be a review of provision.

Emergency Services

Emergency services will use the Nunns Lane entrance and drive to access the school. If this is blocked, access will be through Bedford Close.

Reviewed 17 1 14



Hedge

Field & **Assembly Point**